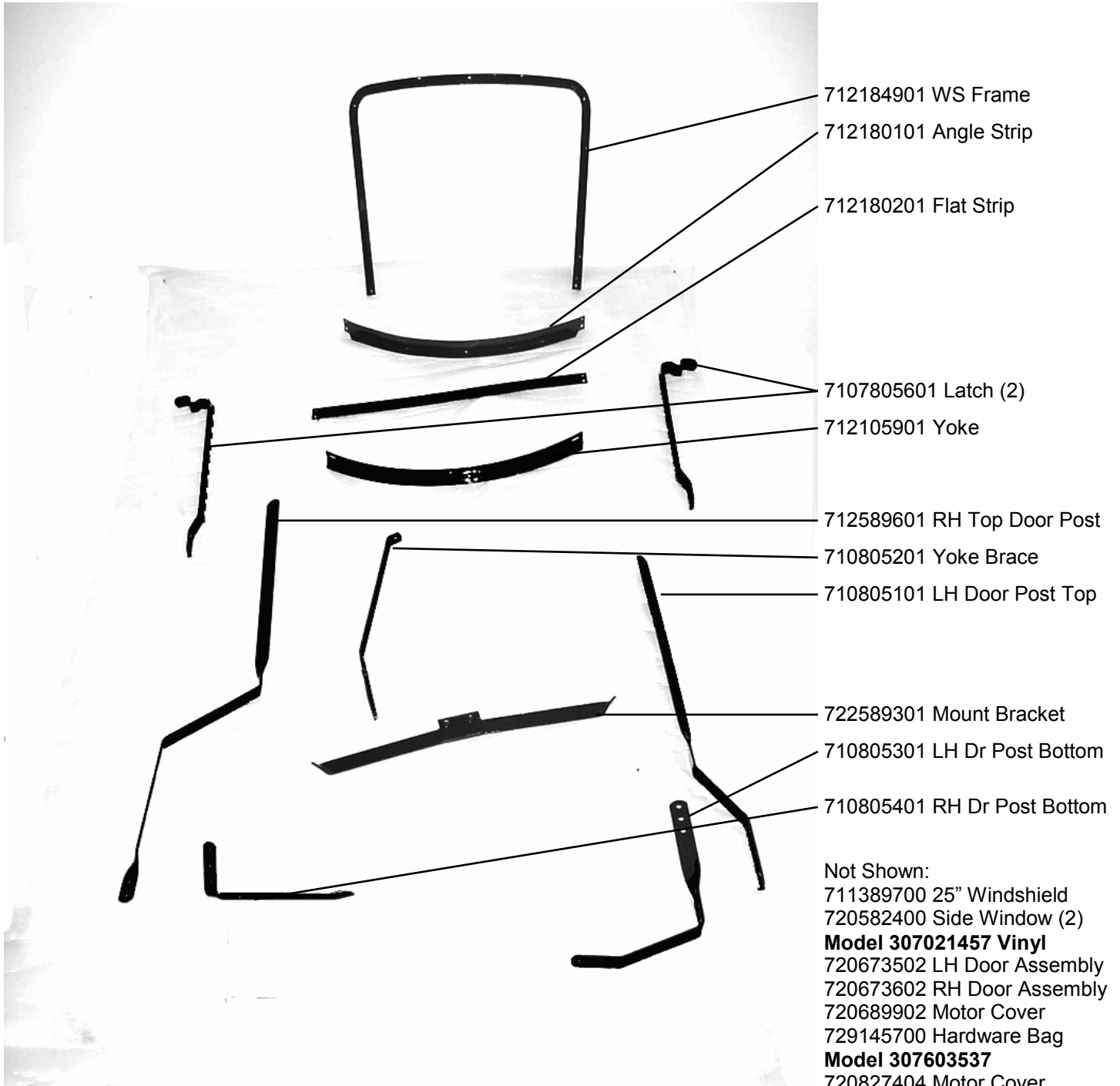


**Installation Instructions for
307021457 or 307603537 FEMCO Weather Brake
Fits: Ford 2000, 2600, 3000, 3600, 4000SU & 4600SU**

Listed and shown below are the parts required to install the 1457 or 3537 Weather Brake. Carefully study the photographs and identify all parts before starting assembly. Verify that all parts are in the box. Follow the installation steps numerically.



712184901 WS Frame

712180101 Angle Strip

712180201 Flat Strip

7107805601 Latch (2)

712105901 Yoke

712589601 RH Top Door Post

710805201 Yoke Brace

710805101 LH Door Post Top

722589301 Mount Bracket

710805301 LH Dr Post Bottom

710805401 RH Dr Post Bottom

Not Shown:

711389700 25" Windshield
720582400 Side Window (2)

Model 307021457 Vinyl

720673502 LH Door Assembly
720673602 RH Door Assembly
720689902 Motor Cover
729145700 Hardware Bag

Model 307603537

720827404 Motor Cover
720827504 LH Door Assembly
720824604 RH Door Assembly
729353700 Hardware Bag

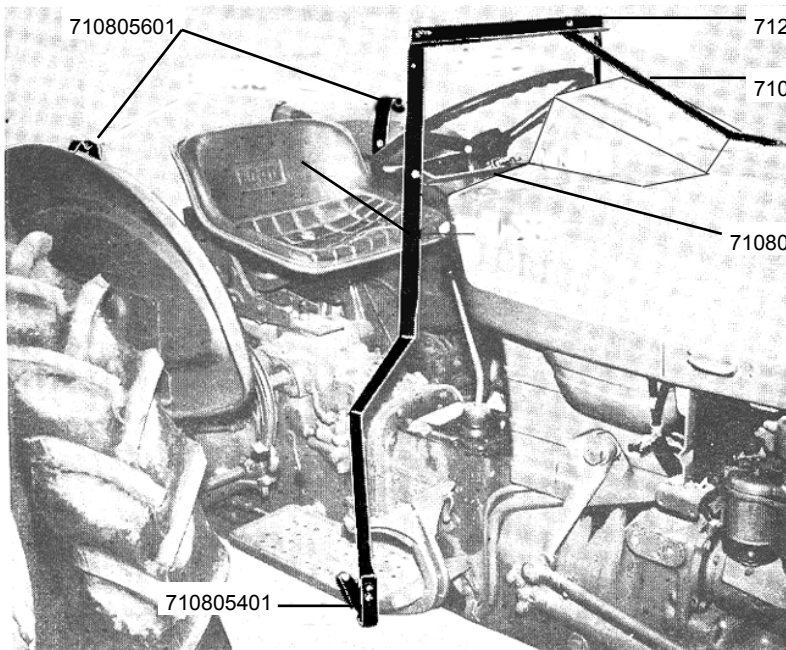


Figure 1

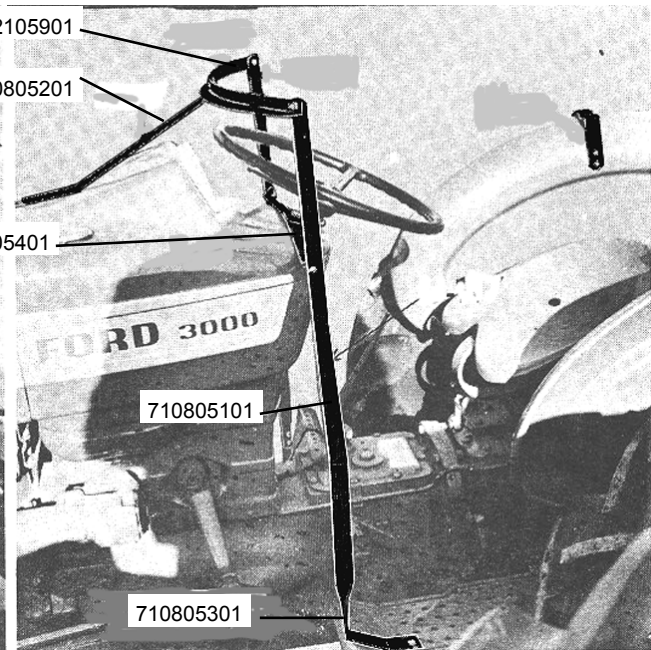
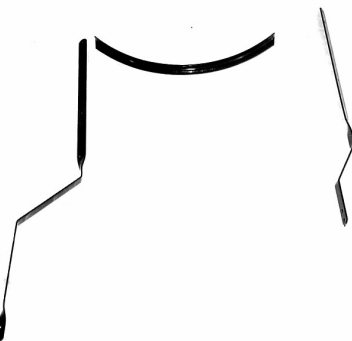


Figure 2



Step 4



Step 6

1. Attach # 722589301 Mount Bracket to steering column using 1/4" U-Bolt and hex nuts. **DO NOT TIGHTEN BOLTS AT THIS TIME.**

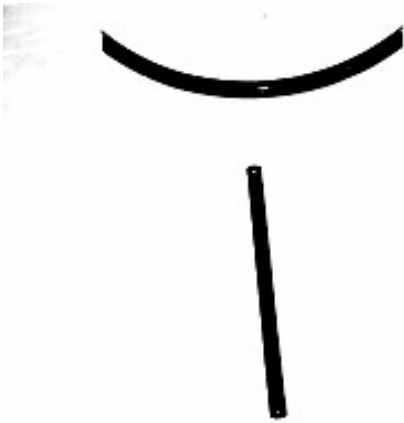
2. Attach # 710805401 RH Door Post Bottom to right foot rest at 2nd hole from front in second row from outside edge and 3rd hole from front in 3rd row from outside edge using 5/16x1" hex bolts and nuts. **DO NOT TIGHTEN BOLTS AT THIS TIME.** See Figure 1.

3. Attach # 710805301 LH Door Post Bottom to the left foot rest at the first and second holes in the outside row on the flat part of the foot rest using 5/16x1" hex bolts and nuts. **DO NOT TIGHTEN BOLTS AT THIS TIME.** See Figure 2

4. Attach # 710805101 LH Door Post Top to LH Door Post Bottom and # 712589601 RH Door Post Top to the RH Door Post Bottom using 5/16x3/4" hex bolts and nuts. **DO NOT TIGHTEN BOLTS AT THIS TIME.** See Figure 1 & 2

5. Place Motor Cover over tractor. Slide wide hems along back edge of Motor Cover down over LH and RH Door Posts.

6. Slide # 712105901 Yoke into wide hem at the top of the Motor Cover. Attach each end of the Yoke to the Door Posts using 1/4x1" hex bolts and nuts. Place bolt heads to the rear and nuts to the front of the assembly, Be sure the ends of the Yoke are flush with the outside edges of the Door Posts. **DO NOT TIGHTEN BOLTS AT THIS TIME.** See Figure 1 & 2



7. Attach # 710805201 Yoke Brace to Yoke using 1/4x1/2" hex bolt and nut. Place bolt head to front and nut to rear of assembly. Attach the front of the Yoke Brace to the tractor hood using the existing bolt in the hood. **DO NOT TIGHTEN BOLTS AT THIS TIME.**

8. Raise or lower the Mount Bracket on the steering column so holes in ends match holes in Door Posts. Attach each end to a Door Post using 1/4x1/2" hex bolts and nuts. Align Mount Bracket so it is level and square across the tractor. Tighten bolts on U-bolt to secure Mount Bracket to steering column.. **TIGHTEN ALL OTHER BOLTS AT THIS TIME.**

9. Straighten the Motor Cover on the tractor. Tie straps to grommets on side of the Motor cover. Attach springs to grommets on the other side of the Motor Cover. Attach straps to springs using buckles. Adjust straps so tension is maintained on springs. Tie straps around tie rod and steering cylinder with enough slack to allow for movement to prevent cover from tearing.

Step 7



10. Find hinge holes in LH Door Post and punch holes through Motor Cover at hole locations. Place LH Door Assembly level with the bottom of the Yoke and mark Door Post hole locations. Cut slits in Door Assembly around wire frame and insert F1 clips. Attach F1 clips to Door Post using 3/16x3/4" hex bolts and nuts. Repeat for RH Door Assembly. Snap door flap to Motor Cover and run strap on bottom from LH to RH door. See Figure 3 and Window Assembly Instructions.

NOTE: If optional top is to be installed , install it now. Do not install Latches in Step 11 until top is installed.

11. Place # 710805601 Latch on LH fender so groove in Latch is up against the bottom edge of the door frame. Using the Latch as a template mark and drill 9/32" diameter holes in fender. Attach Latch to fender using 1/4x1" hex bolts and nuts. Repeat procedure on RH side. See Figure 1 & 2.

Step 8

12. Motor Cover sides may be rolled back to release excess heat. Simply unhook two front springs and roll sides back and snap as shown in Figure 4

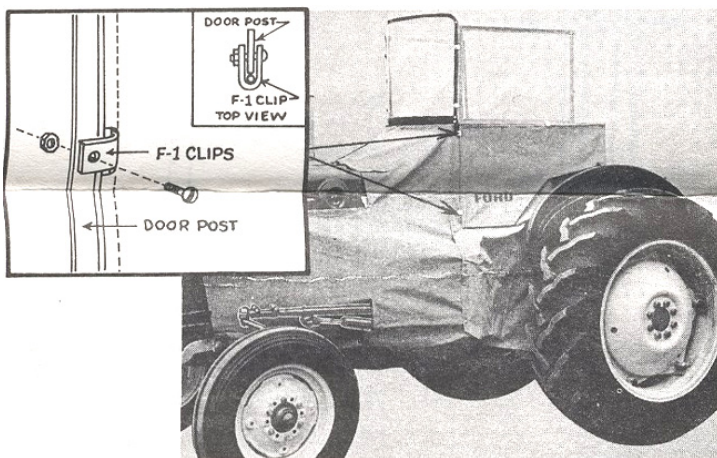


Figure 3

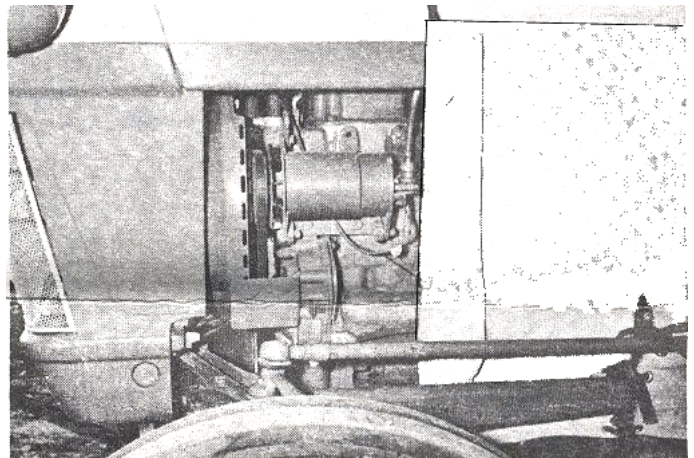
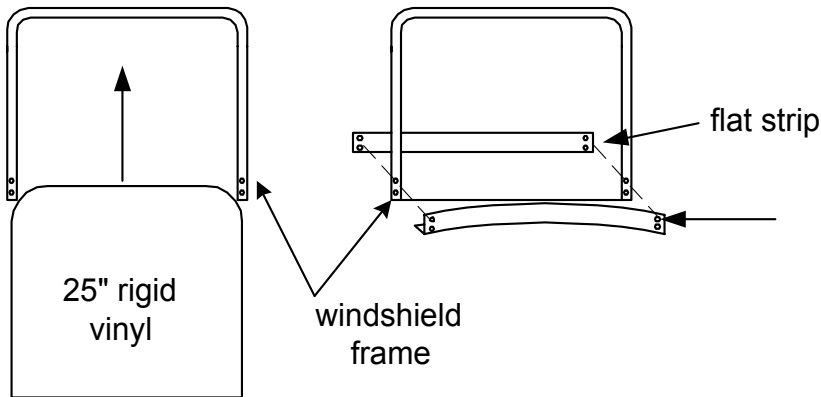


Figure 4

WINDSHIELD/SIDE WINDOW ASSEMBLY INSTRUCTIONS

The pictures shown are generic drawings. The part shapes shown may vary from the parts supplied with this WB. The descriptions should be correct. Follow the instructions by step.

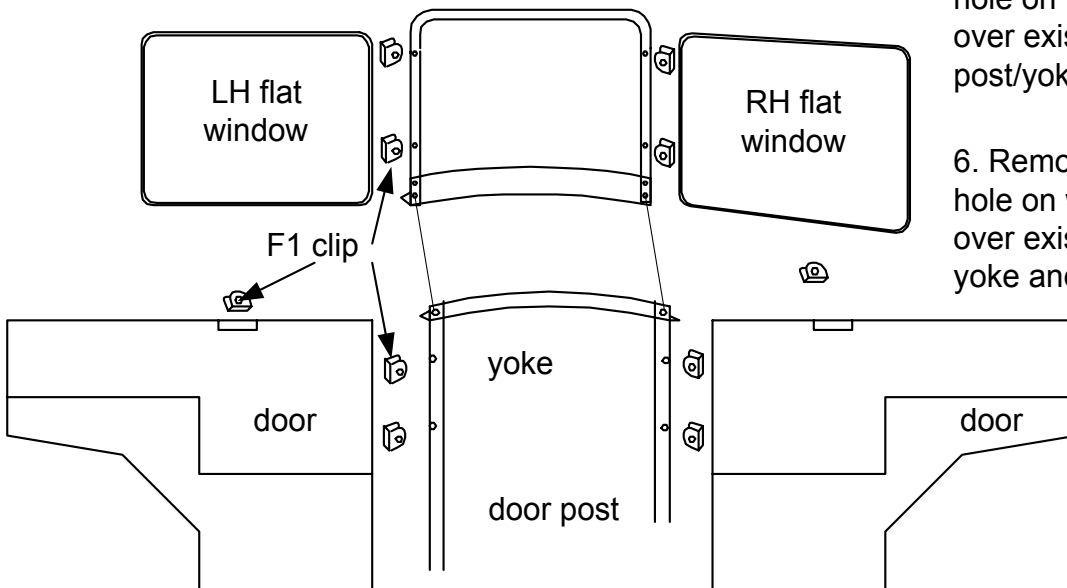
1. Slide the rigid vinyl into the windshield frame



2. Fasten the flat strip and angle strip to the windshield frame using 2 - 3/16 x 3/4 bolts in the top holes. Tighten nuts.

3. Cut slots in LH side window to match holes in frame. Insert F1 clips in slots, around wire, and bolt to frame using 2- 3/16 x 3/4" bolts and nuts

4. Repeat step 3 for RH side window.



5. Remove nut, place lower RH hole on windshield assembly over existing bolt at RH door post/yoke and replace nut.

6. Remove nut, place lower LH hole on windshield assembly over existing bolt at door post/yoke and replace nut.

7. Place an F1 clip through the cut out in the top of the door. Punch a small hole through the vinyl in the LH side window and bolt using a 3/16 x 3/4 bolt and nut. Repeat for the RH side window.

FEMCO, Inc.

General Offices
1132 W. 1ST STREET
Mcpherson, KS 67460
Phone: 620-241-3513
Toll Free 1-800-677-0898
Fax: 620-241-3532
www.femcomfg.com